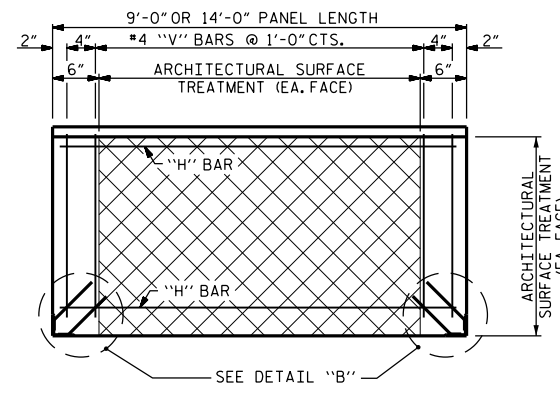
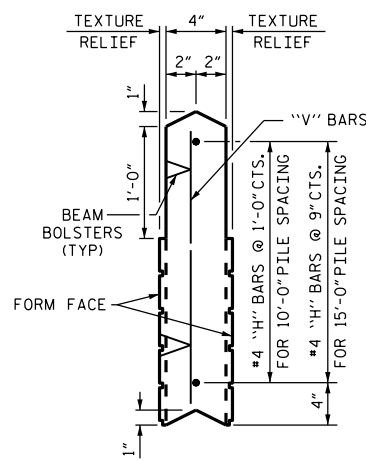


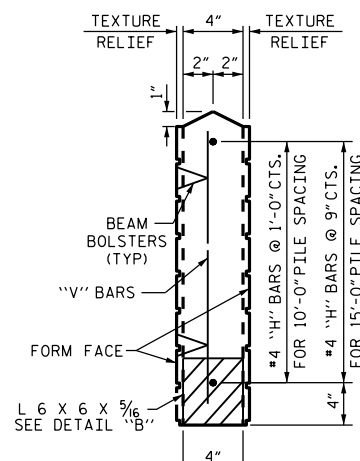
FRONT ELEVATION OF UPPER PRECAST PANEL



FRONT ELEVATION OF BOTTOM PRECAST PANEL

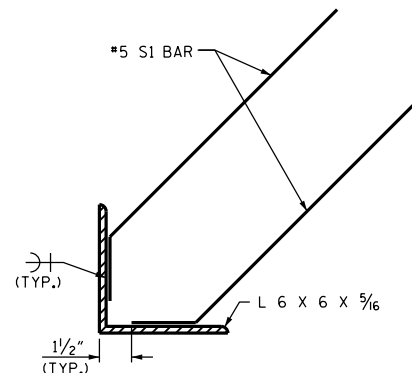


UPPER PANEL



BOTTOM PANEL

SECTION THROUGH PRECAST PANELS



DETAIL "B"

QUANTITIES FOR ONE PRECAST PANEL (FOR 10'-0" PILE SPACING)

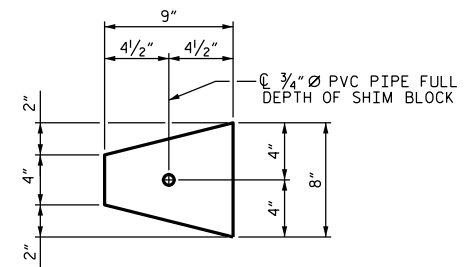
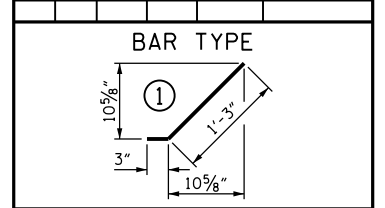
PANEL HEIGHT	CLASS AA CONCRETE C.Y.	BAR TYPES									
		HORIZONTAL				VERTICAL					
		NO.	BAR SIZE	TYPE	LENGTH	WEIGHT (lb)	NO.	BAR SIZE	TYPE	LENGTH	WEIGHT (lb)
2'-0"	0.22	3	H1 #4	STR	8'-8"	17	11	V1 #4	STR	1'-8"	12
3'-0"	0.33	4	H2 #4	STR	8'-8"	23	11	V2 #4	STR	2'-8"	20
4'-0"	0.44	5	H3 #4	STR	8'-8"	29	11	V3 #4	STR	3'-8"	27

QUANTITIES FOR ONE PRECAST PANEL (FOR 15'-0" PILE SPACING)

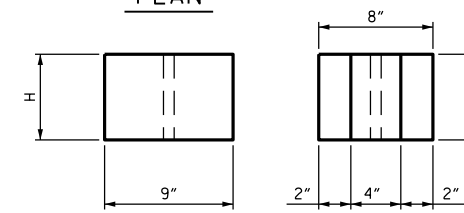
PANEL HEIGHT	CLASS AA CONCRETE C.Y.	BAR TYPES									
		HORIZONTAL				VERTICAL					
		NO.	BAR SIZE	TYPE	LENGTH	WEIGHT (lb)	NO.	BAR SIZE	TYPE	LENGTH	WEIGHT (lb)
3'-0"	0.52	5	H1 #4	STR	13'-8"	46	16	V1 #4	STR	2'-8"	29
4'-0"	0.69	6	H2 #4	STR	13'-8"	55	16	V2 #4	STR	3'-8"	39
5'-0"	0.86	7	H3 #4	STR	13'-8"	64	16	V3 #4	STR	4'-8"	50
6'-0"	1.04	8	H4 #4	STR	13'-8"	73	16	V4 #4	STR	5'-8"	61

ADDITIONAL BARS FOR ONE BOTTOM PANEL

NO.	BAR SIZE	TYPE	LENGTH	WEIGHT (lb)
4	S1 #5	1	1'-6"	6



PLAN

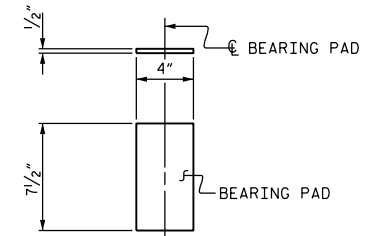


ELEVATION

END

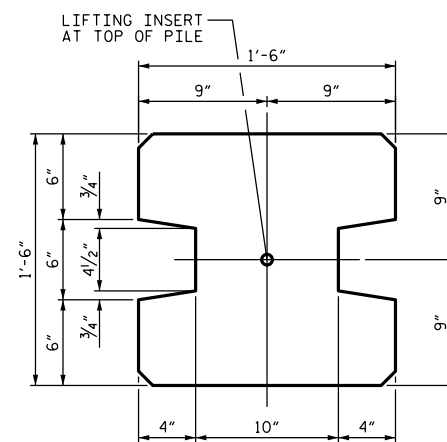
CONCRETE SHIM BLOCK

H = 3", 6" or 1'-0"

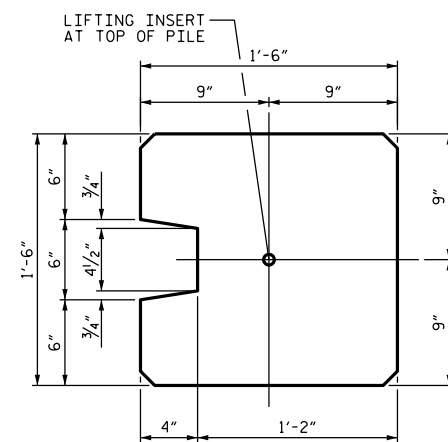


ELASTOMERIC BEARING DETAILS

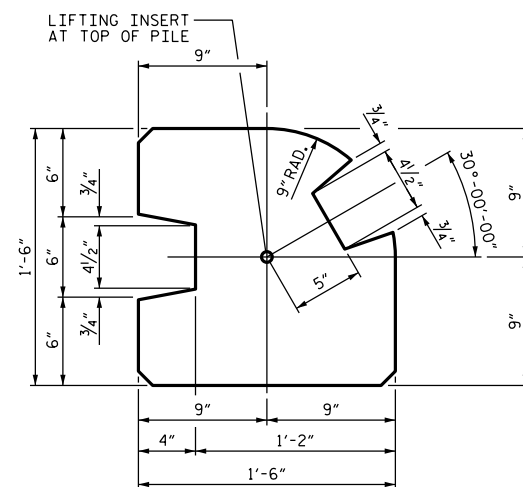
ELASTOMER IN BEARINGS SHALL BE 50 DUROMETER HARDNESS.



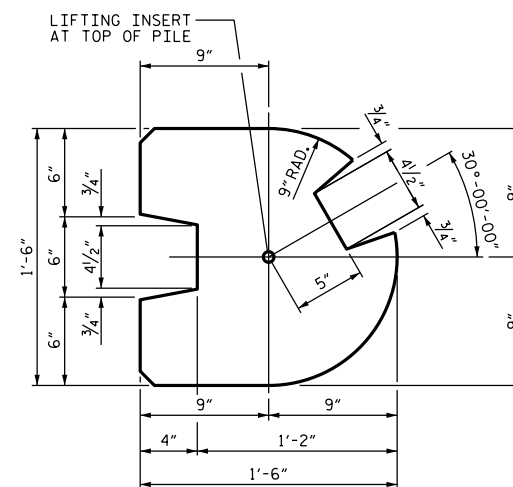
TYPE - I  
(AREA = 1.9444 SQ. FT.)



TYPE - II  
(AREA = 2.0903 SQ. FT.)



TYPE - III  
(AREA = 1.8336 SQ. FT.)



TYPE - III (ALT.)  
(AREA = 1.7163 SQ. FT.)

PILE DETAIL

(ALL CORNERS TO BE CHAMFERED 1")

ASSEMBLED BY :	DATE :
CHECKED BY :	DATE :
DRAWN BY : MAA 6/11	REV. 1/15/14 RWW/TMG
CHECKED BY : GM 6/11	REV. 10/17 MAA/THC
	REV. 5/18 MAA/THC

DOCUMENT NOT CONSIDERED FINAL UNLESS ALL SIGNATURES COMPLETED

REVISIONS						SHEET NO.
NO.	BY:	DATE:	NO.	BY:	DATE:	TOTAL SHEETS
1			3			
2			4			

STD. NO. SBW2

PROJECT NO. \_\_\_\_\_

\_\_\_\_\_ COUNTY

STATION: \_\_\_\_\_

SHEET OF \_\_\_\_\_

STATE OF NORTH CAROLINA  
DEPARTMENT OF TRANSPORTATION  
RALEIGH  
STANDARD  
SOUND BARRIER WALL  
DETAILS